



**BAR CODE**



**PRICE COMPUTING**



**CLICK  
ON EACH CATEGORY**



**KITCHEN**



**COUNTING**



**PRECISION  
BALANCES**



**SHIPPING**



**CRANE**



**WEIGHT  
INDICATORS**



**GANADERAS**



**PLATFORMS**



**TRUCKS**



**ACCESSORIES & SPARE PARTS**



**MEAT EQUIPMENT MACHINERY**

**INTERACTIVE CATALOG**

# PRICE COMPUTING SCALES



**BPP-40**



**BPP-40RS**



**BPP-40 W**

**BAL-40**



**BAL-100**  
**BAL-200**



CLICK ON THE MODEL

**BACK TO MENU**



# PRICE COMPUTING SCALE MODEL **BPP-40**

Characteristics	Cash register functions
Installation	Counter
Display	LCD
Shortcuts	6 memories
Power supply	4V Rechargeable battery
Plate	Stainless Steel 22 x 30cm



# PRICE COMPUTING SCALE MODEL **BPP-40W**

<b>Characteristics</b>	<b>Cash register functions</b> <b>Anti-cockroaches</b>
<b>Installation</b>	<b>Counter</b>
<b>Display</b>	<b>LCD</b>
<b>Shortcuts</b>	<b>6 memories</b>
<b>Power supply</b>	<b>4V Rechargeable battery</b>
<b>Plate</b>	<b>Stainless Steel 22 x 30cm</b>



# PRICE COMPUTING SCALE MODEL BPP-40RS

<b>Characteristics</b>	<b>Cash register features Includes RS232 serial port to connect with POINTS OF SALE</b>
<b>Installation</b>	<b>Counter</b>
<b>Capacity</b>	<b>40 Kg</b>
<b>Display</b>	<b>LCD</b>
<b>Shortcuts</b>	<b>6 memories</b>
<b>Power supply</b>	<b>4V Rechargeable battery</b>
<b>Plate</b>	<b>Stainless Steel 22 x 30cm</b>



**MODELS**



**BAL-40**



Characteristics	Price Computing Functions
Installation	Counter
Display	LCD
Shortcuts	6 memories
Power supply	4V Rechargeable battery Heavy duty cable
Plate	Stainless Steel 22 x 30cm

MODEL	CAPACITY	ACCURACY
BAL-40	40 Kg	2 g

**BAL-100 / BAL-200**

Characteristics	Total Price Computing Serial port
Installation	Floor / Counter
Display	LED / Red
Shortcuts	6 memories
Power supply	4V Rechargeable battery / Heavy duty cable
Plate	Carbon steel 30 x 40 cm

MODEL	CAPACITY	ACCURACY
BAL-100	100 kg	20 g
BAL-200	200 kg	50 g



## BAR CODE SCALES

Its range of solutions covers all kinds of applications in which the **printing of product identification** and sale labels is essential.



**MEGABIE-30**



**MEGABIE-30T**



**BIE-30T**



**BIE-30C**



**BCR-30**



**A-1 INDICATOR**



**A-2 INDICATOR**



CLICK ON THE MODEL

**BACK TO MENU**



# BAR CODE SCALES MEGABIE-30

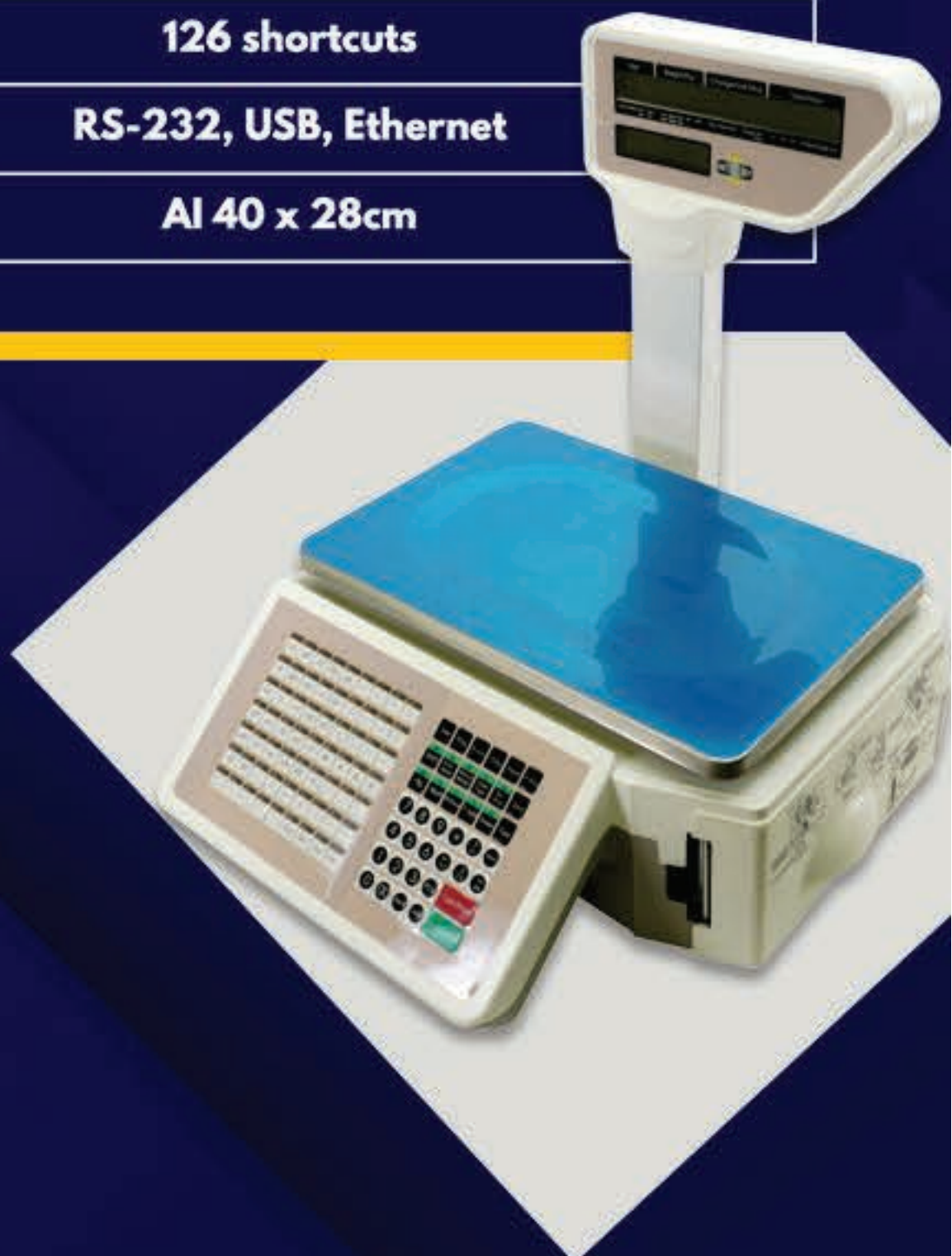
<b>News</b>	<b>Wi-Fi Connectivity / Management Software Included</b>
<b>Facilities</b>	<b>Counter</b>
<b>Ability</b>	<b>30kg/ 5g</b>
<b>display</b>	<b>LCD</b>
<b>Memory</b>	<b>Capacity for 5990 PLU'S</b>
<b>shortcuts</b>	<b>80 shortcuts</b>
<b>communication ports</b>	<b>RS-232, USB, Ethernet</b>
<b>Plate</b>	<b>Al 40 x 28cm</b>





# BAR CODE SCALE MEGABIE-30T

<b>News</b>	<b>Wi-Fi Connectivity / Management Software Included</b>
<b>Facilities</b>	<b>Counter</b>
<b>Ability</b>	<b>30kg/5g</b>
<b>display</b>	<b>LCD in Turret</b>
<b>Memory</b>	<b>Capacity for 5990 PLU'S</b>
<b>shortcuts</b>	<b>126 shortcuts</b>
<b>communication ports</b>	<b>RS-232, USB, Ethernet</b>
<b>Plate</b>	<b>Al 40 x 28cm</b>



# BAR CODE SCALE BIE-30T

<b>News</b>	<b>Management Software Included</b>
<b>Facilities</b>	<b>Counter</b>
<b>display</b>	<b>LCD Turret</b>
<b>Ability</b>	<b>30kg/5g</b>
<b>memories</b>	<b>5990 PLU's</b>
<b>shortcuts</b>	<b>126 shortcuts</b>
<b>print formats</b>	<b>Ability to store up to 90 different formats</b>
<b>barcodes</b>	<b>Generate up to 13 types of barcode</b>
<b>communications card</b>	<b>Ethernet, RS-232, USB</b>
<b>Plate</b>	<b>Al 32 x 22cm</b>



**BAR CODE  
 SCALES**



**BACK TO MENU**



# BAR CODE SCALE BIE-30C

<b>News</b>	<b>Wi-Fi Connectivity / Management Software Included</b>
<b>Facility</b>	<b>Pendant</b>
<b>display</b>	<b>LCD</b>
<b>Ability</b>	<b>30kg/5g</b>
<b>Memory</b>	<b>Capacity for 5990 PLU'S</b>
<b>shortcuts</b>	<b>126 PLUs</b>
<b>network communication</b>	<b>Ethernet</b>
<b>communication card</b>	<b>RS-232,USB</b>
<b>Plate</b>	<b>Al 45 x 29cm</b>



**BAR CODE  
 SCALES**



**BACK TO MENU**



# CASH REGISTER SCALE

## BCR-30

<b>News</b>	<b>Printing on Continuous Thermal Paper (not labels) Wi-Fi Connectivity / Management Software Included</b>
<b>Facility</b>	<b>Counter</b>
<b>display</b>	<b>Turret LCD</b>
<b>Ability</b>	<b>30kg / 5g</b>
<b>Memories</b>	<b>5990 PLU's</b>
<b>shortcuts</b>	<b>80 shortcuts</b>
<b>print formats</b>	<b>Ability to store up to 90 different formats</b>
<b>barcodes</b>	<b>Generate up to 13 types of barcode</b>
<b>communications card</b>	<b>Ethernet, RS-232, USB</b>
<b>Plate</b>	<b>Al 32 x 22cm</b>



**BAR CODE  
 SCALES**



**BACK TO MENU**



## A-1 INDICATOR

<b>News</b>	<b>Management Software Included</b>
<b>Facility</b>	<b>Universal</b>
<b>Ability</b>	<b>configurable</b>
<b>display</b>	<b>LCD</b>
<b>Memory</b>	<b>Capacity for 5990 PLU'S</b>
<b>shortcuts</b>	<b>20 shortcuts</b>
<b>communication ports</b>	<b>RS-232, USB, Ethernet</b>



# A-2 INDICATOR

<b>News</b>	<b>Wi-Fi Connectivity / Management Software Included</b>
<b>Facilities</b>	<b>Universal</b>
<b>Ability</b>	<b>configurable</b>
<b>display</b>	<b>LCD</b>
<b>Memory</b>	<b>Capacity for 5990 PLU'S</b>
<b>shortcuts</b>	<b>80 shortcuts</b>
<b>communication ports</b>	<b>RS-232, USB, Ethernet, Wi-Fi</b>



**BAR CODE  
 SCALES**



**BACK TO MENU**



## KITCHEN SCALES

It is characterized by having special functions for **prepare recipes or formulate mixtures**. They can display weight in different units, such as g, kg, oz, lb, etc.



**BB-1000**



**BCH-5000**



**BMP**



**BMW**



# POCKET SCALE

## BB-1000

display	LCD w/backlight
feeding	AAA alkaline battery
multi-units	g, oz, gm, ct, tl, ozt, dwt
Plate	SS 6.3 x 7.6cm
Protective cover	Measures 12.7 x 6 x 2cm

## MODELS

MODEL	ABILITY	ACCURACY
BB-500	500g	0.1g
BB-1000	1000g	0.1g





# KITCHEN SCALE

## BCH-5000

Function	Over/Under
alarm type	programmable
units	g, lb-oz
display	LCD
feeding	AA batteries (or eliminator in case of being the model)
Plate	SS 18 x 14cm

## MODELS

MODEL	ABILITY	ACCURACY
BCH-5000	5000g	1g
BCH - 5000 EL with eliminator	5000g	1g



# KITCHEN SCALE

**BMP**

Function	Over/Under
alarm type	programmable
units	kg, lb
display	LED RED
feeding	rechargeable
Plate	SS 32 x 22cm

## MODELS

MODEL	ABILITY	ACCURACY
BMP-3	3kg	0.5g
BMP-6	6kg	1g
BMP-15	15g	2 g



# KITCHEN SCALE

**BMW**

News	Waterproof Submersible / Anti-Dripping
Function	Counting pieces / Over-Under
Alarm	programmable
units	kg, lb, oz
display	LCD w/BL
feeding	rechargeable
Plate	SS 27 x 22cm

## MODELS

MODEL	ABILITY	ACCURACY
BMW-3	3kg	0.5g
BMW-6	6kg	1g
BMW-15	15kg	2 g
BMW-30	30kg	5g



## COUNTING SCALES

Ideal for **taking inventories**, FINE precision greater than 10,000 divisions with which we ensure the most accurate count with the greatest speed and functionality.



**BPC - T**



**BCP**



**A1 - C**



**A2 - C**



# COUNTING SCALE

## BPC - T

<b>SS Platform</b>	<b>60x60cm</b>
<b>Facilities</b>	<b>Floor</b>
<b>Display</b>	<b>LCD w/BL</b>
<b>Serial Port</b>	<b>RS-232</b>
<b>Power Supply</b>	<b>rechargeable</b>



## MODELS

MODEL	Capacity	Accuracy
PCB-150	150kg	2 g
PCB-300	300kg	5g
PCB-600	600kg	10g



# COUNTING SCALE

## BCP

<b>News</b>	<b>Platform Connection</b>
<b>Facilities</b>	<b>Counter</b>
<b>Display</b>	<b>LCD w/BL</b>
<b>Memory</b>	<b>6 memories</b>
<b>serial port</b>	<b>RS-232</b>
<b>Power Supply</b>	<b>rechargeable</b>
<b>Plate</b>	<b>Al 22x32cm</b>

## MODELS

<b>MODEL</b>	<b>Capacity</b>	<b>Accuracy</b>
<b>BCP-6</b>	<b>6kg</b>	<b>0.1g</b>
<b>BCP-15</b>	<b>15kg</b>	<b>0.2g</b>
<b>BCP-40</b>	<b>40kg</b>	<b>1g</b>



# A1 - C INDICATOR

<b>News</b>	<b>Generate EAN, UPC, CODE, QR codes</b>
<b>Facilities</b>	<b>Universal</b>
<b>Ability</b>	<b>configurable</b>
<b>Display</b>	<b>LCD</b>
<b>Memory</b>	<b>Capacity for 5990 PLU'S</b>
<b>shortcuts</b>	<b>20 shortcuts</b>
<b>communication ports</b>	<b>RS-232, USB, Ethernet</b>



# A2 - C INDICATOR

<b>News</b>	<b>Generate EAN, UPC, CODE, QR codes</b>
<b>Facilities</b>	<b>Universal</b>
<b>Ability</b>	<b>configurable</b>
<b>Display</b>	<b>LCD</b>
<b>Memory</b>	<b>Capacity for 5990 PLU'S</b>
<b>shortcuts</b>	<b>20 shortcuts</b>
<b>communication ports</b>	<b>RS-232, USB, Ethernet</b>





## PRECISION BALANCES

Scales that detect accurately up to ten **thousandths of a gram**, in other words, 0.0001g.



**BEM-220/620**



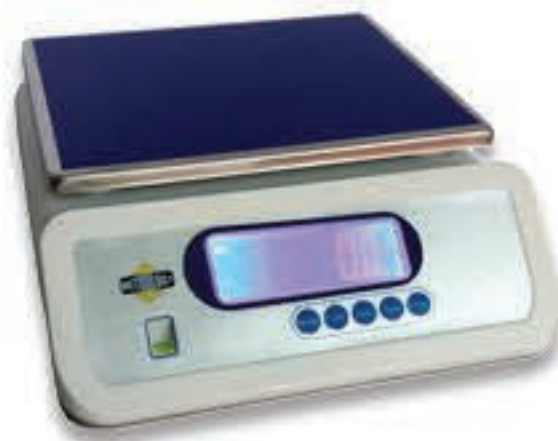
**BEM-4.2/6.2**



**BM-150**



**BM-1500**



**BM - 12 / 30**



# PRECISION BALANCE

## BEM - 220 / 620

<b>News</b>	Communication to PC via Serial Port Communication to PC via USB Type B Continuous weighing sending to PC or by means of print button.
<b>Display</b>	LCD w/BL
<b>Function</b>	Counting pieces / Over-Under
<b>Properties</b>	Self-adjusting
<b>Round Plate</b>	SS Diameter 11cm



## MODELS

Model	Capacity	Accuracy
BEM-220	220kg	0.0001g
BEM-620	620kg	0.001g



# PRECISION BALANCE

## BEM - 4.2 / 6.2

<b>News</b>	Communication to PC via Serial Port Communication to PC via USB Type B Continuous weighing sending to PC or by means of print button.
<b>Function</b>	Counting pieces / Over-Under
<b>Display</b>	LCD
<b>Properties</b>	Self-Adjusting
<b>Plate</b>	Al 18x18cm



## MODELS

MODELS	Capacity	Accuracy
BEM-4.2	4200g	0.01g
BEM-6.2	6200g	0.01g



# PRECISION BALANCE

## BM - 150

<b>Units</b>	<b>kg, g, lb, ct, oz, dr, gn, ozt, dtw, mm, tlj</b>
<b>Function</b>	<b>Counting pieces / Over-Under</b>
<b>display</b>	<b>leds</b>
<b>Capacity</b>	<b>150g / 0.005g</b>
<b>serial port</b>	<b>RS-232</b>



# PRECISION BALANCE

## BM - 1500

<b>Units</b>	<b>kg, g, lb, ct, oz, dr, gn, ozt, dtw, mm, tlj</b>
<b>Function</b>	<b>Counting pieces / Over-Under</b>
<b>Display</b>	<b>leds</b>
<b>Capacity</b>	<b>1500g / 0.05g</b>
<b>Serial Port</b>	<b>RS-232</b>



# PRECISION BALANCE

## BM - 12 / 30

<b>Función</b>	<b>Cuenta piezas / Over - Under</b>
<b>Alarma</b>	<b>Programable</b>
<b>Unidades</b>	<b>kg, g, lb, oz</b>
<b>Display</b>	<b>LCD c/B.L.</b>
<b>Alimentación</b>	<b>Recargable</b>
<b>Plato</b>	<b>A.l. de 27 x 22cm</b>

## MODELOS

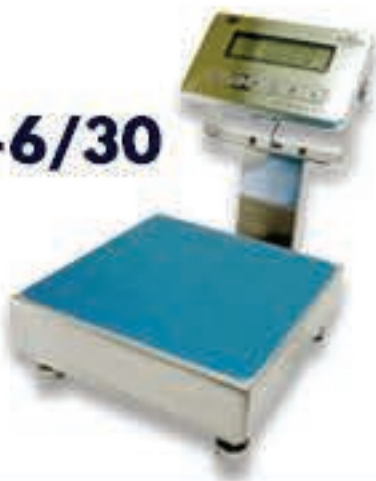
MODELO	CAPACIDAD	DMISIÓN MIN.
BM - 12	11,000 g	0.1 g
BM - 30	30,000 g	1 g



## SHIPPING SCALES

**Strong and durable**, characteristics that distinguish them, its design contemplates the harsh working environment.

**BPW-6/30**



**BPW-60  
/150/300**



**BP60 DUO  
/BP120**



**BPPR-100**



**ALMACÉN  
BP-200/400/600**



**BPRL-150/300/500**



**BPX-500/1000**



**BPR-150/300/500**



**PALLET  
SCALES**



# SHIPPING SCALE

## BPW - 6/30

<b>News</b>	<b>Hermetic scale</b>
<b>Material</b>	<b>100% stainless steel IP68</b>
<b>units</b>	<b>kg, lb, oz</b>
<b>display</b>	<b>LCD w/BL</b>
<b>Function</b>	<b>Over-Under</b>
<b>feeding</b>	<b>rechargeable</b>
<b>Plate</b>	<b>30x30cm</b>



## MODELS

MODEL	ABILITY	ACCURACY
BP-6W	6kg	1g
BP-30W	30kg	5g

**SHIPPING  
 SCALES**



**BACK TO MENU**





# SHIPPING SCALE

## BPW-60/150/300

<b>News</b>	<b>Hermetic scale</b>
<b>Facilities</b>	<b>Floor</b>
<b>Material</b>	<b>100% stainless steel IP68</b>
<b>units</b>	<b>kg, lb, oz</b>
<b>display</b>	<b>LCD w/BL</b>
<b>Function</b>	<b>Over-Under</b>
<b>feeding</b>	<b>rechargeable</b>
<b>Plate</b>	<b>40x50cm</b>



## MODELS

MODEL	ABILITY	ACCURACY
BP-60W	60kg	20g
BP-150W	150kg	50g
BP-300W	300kg	100g



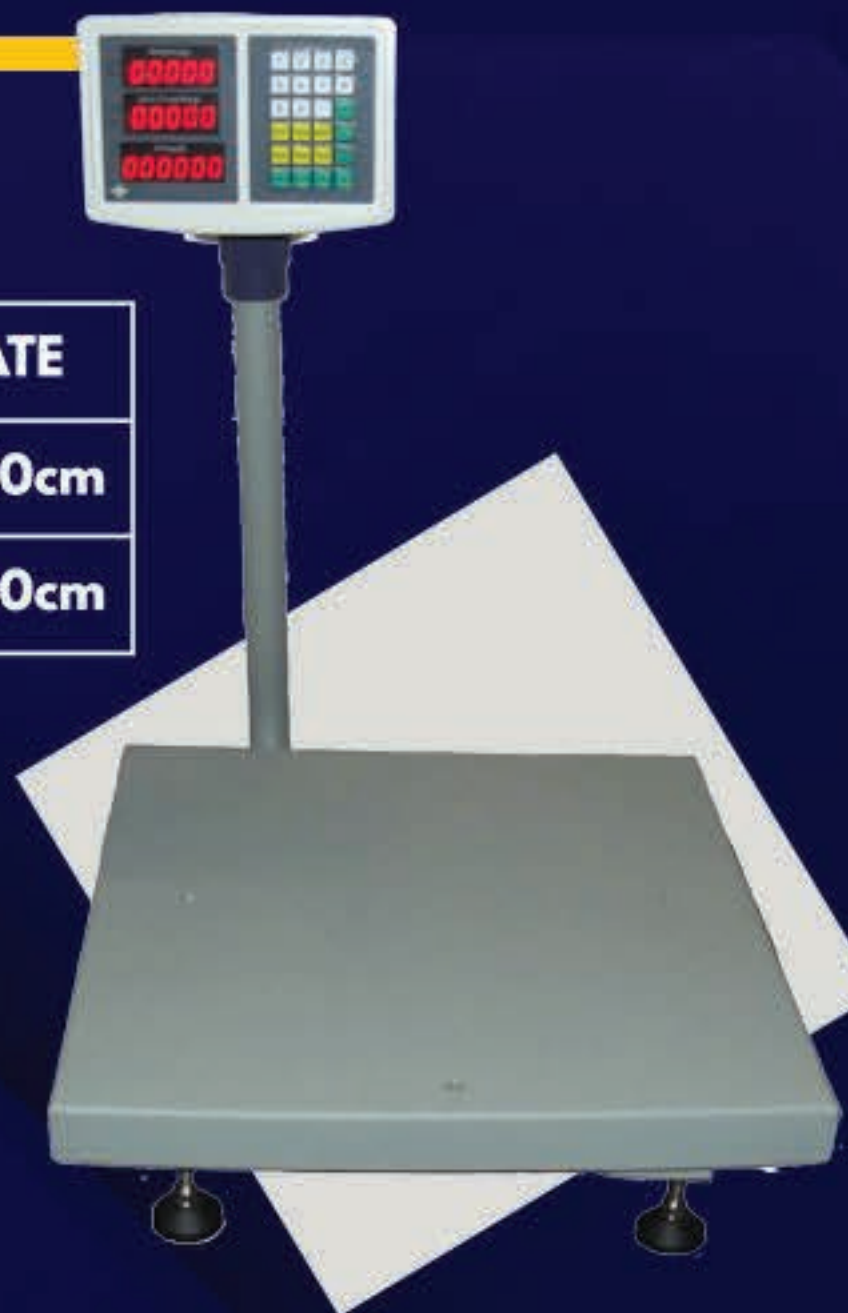
# SHIPPING SCALE

## BP DUO

<b>Facilities</b>	<b>Floor / Counter</b>
<b>Function</b>	<b>cash register</b>
<b>display</b>	<b>leds</b>
<b>Memory</b>	<b>6 memories for quick accesses</b>
<b>serial port</b>	<b>RS-232 for connection to point of sale</b>
<b>feeding</b>	<b>4V rechargeable</b>

## MODELS

MODEL	ABILITY	ACCURACY	PLATE
BP-60DUO	60kg	20g	50x50cm
BP-120DUO	120kg	50g	50x50cm



**SHIPPING  
 SCALES**



**BACK TO MENU**



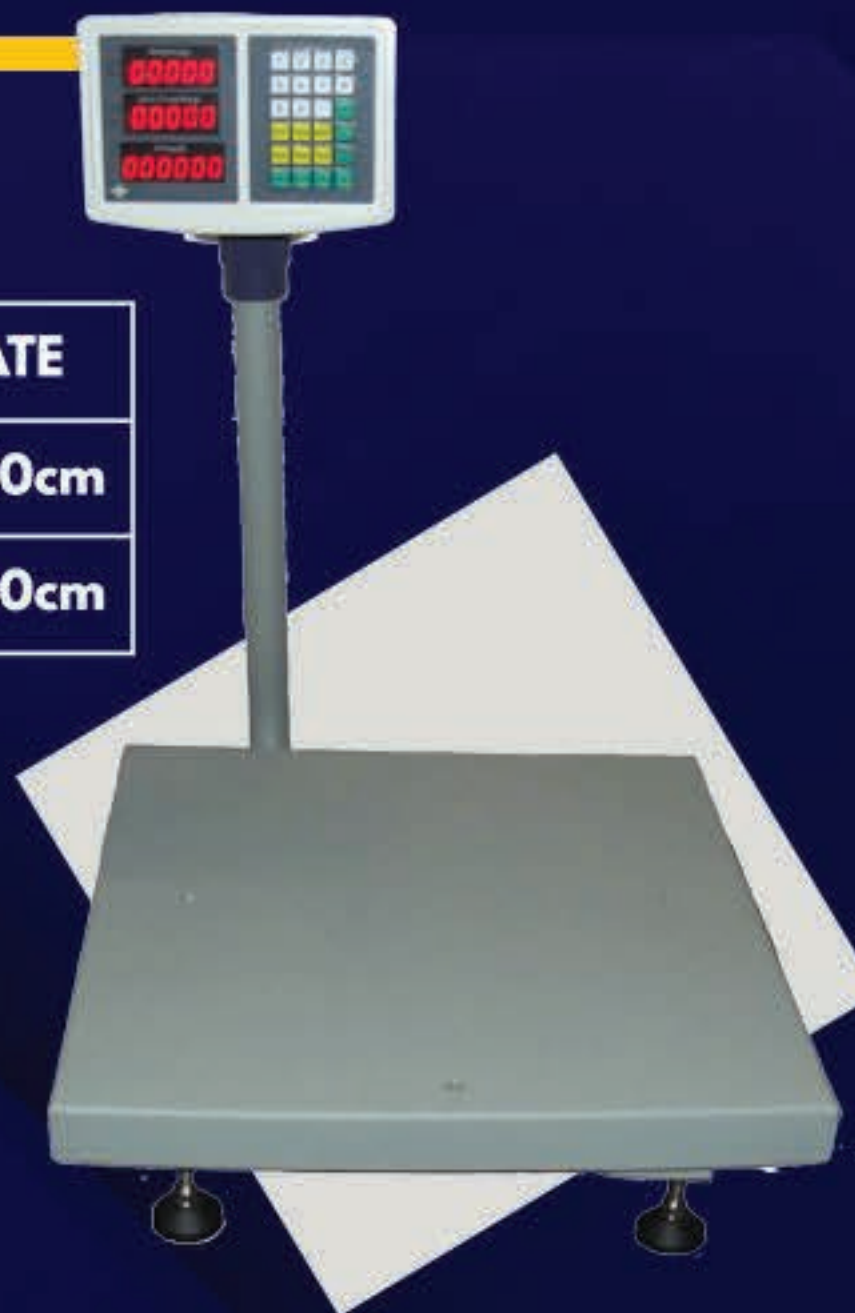
# SHIPPING SCALE

## BP DUO

<b>Facilities</b>	<b>Floor / Counter</b>
<b>Function</b>	<b>cash register</b>
<b>display</b>	<b>leds</b>
<b>Memory</b>	<b>6 memories for quick accesses</b>
<b>serial port</b>	<b>RS-232 for connection to point of sale</b>
<b>feeding</b>	<b>4V rechargeable</b>

## MODELS

MODEL	ABILITY	ACCURACY	PLATE
BP-60DUO	60kg	20g	50x50cm
BP-120DUO	120kg	50g	50x50cm



**SHIPPING  
 SCALES**



**BACK TO MENU**



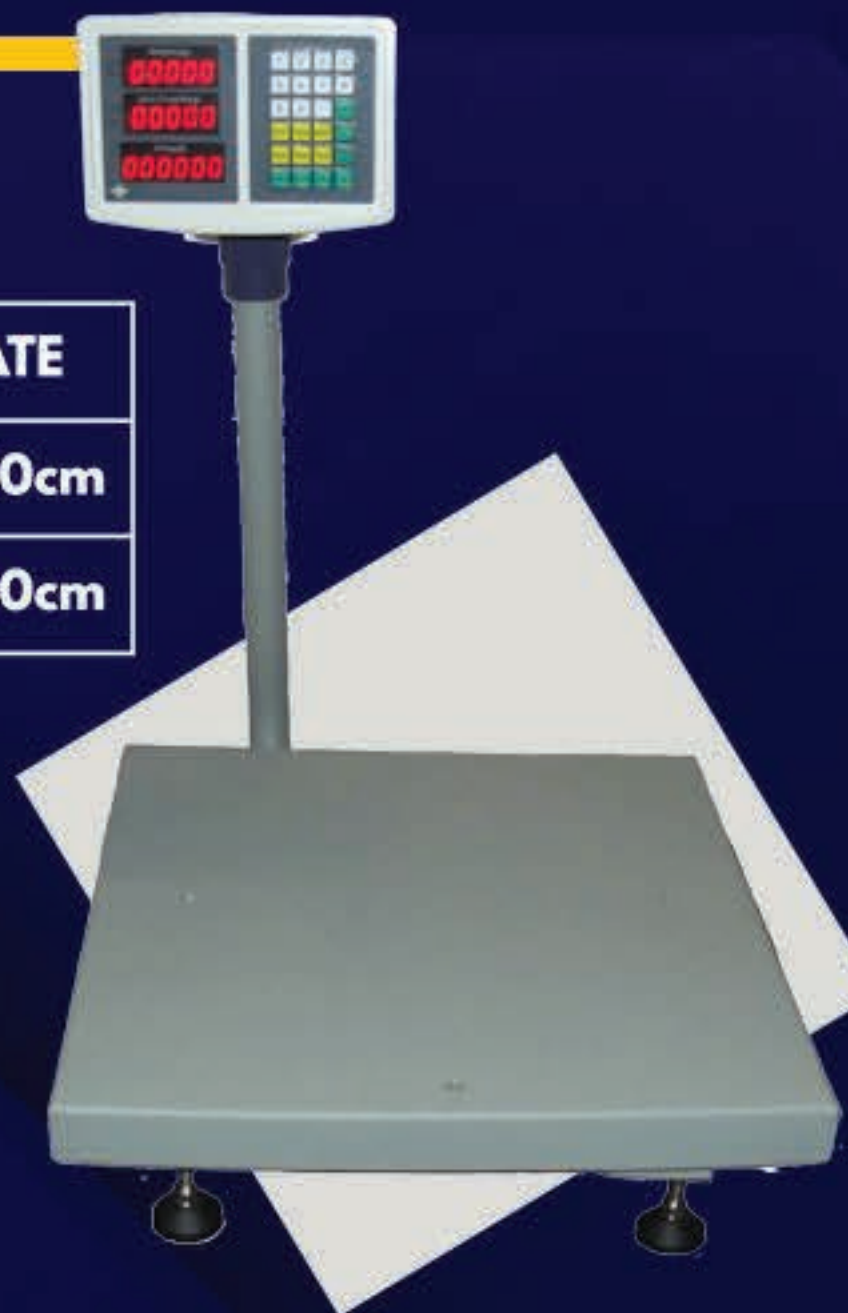
# SHIPPING SCALE

## BP DUO

<b>Facilities</b>	<b>Floor / Counter</b>
<b>Function</b>	<b>cash register</b>
<b>display</b>	<b>leds</b>
<b>Memory</b>	<b>6 memories for quick accesses</b>
<b>serial port</b>	<b>RS-232 for connection to point of sale</b>
<b>feeding</b>	<b>4V rechargeable</b>

## MODELS

MODEL	ABILITY	ACCURACY	PLATE
BP-60DUO	60kg	20g	50x50cm
BP-120DUO	120kg	50g	50x50cm



**SHIPPING  
SCALES**



**BACK TO MENU**



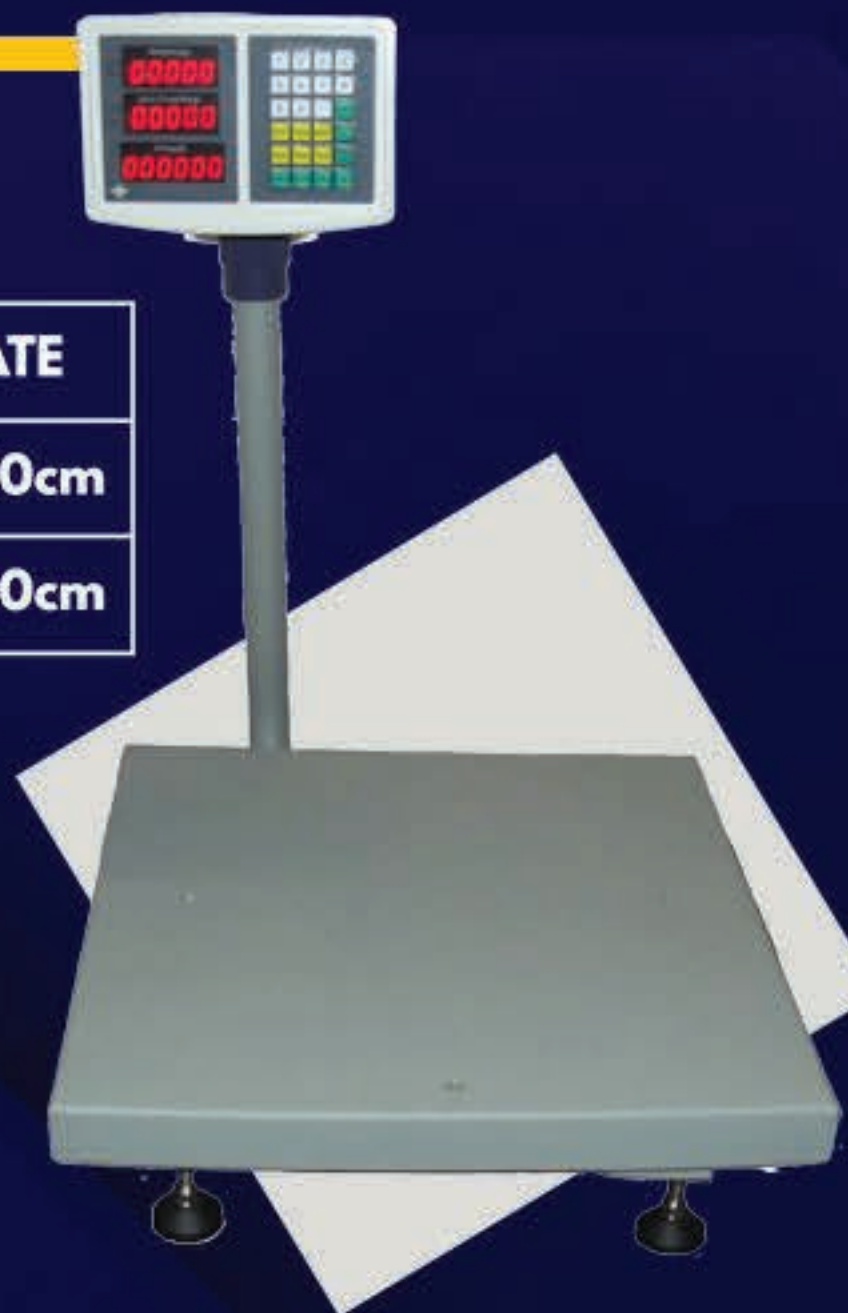
# SHIPPING SCALE

## BP DUO

<b>Facilities</b>	<b>Floor / Counter</b>
<b>Function</b>	<b>cash register</b>
<b>display</b>	<b>leds</b>
<b>Memory</b>	<b>6 memories for quick accesses</b>
<b>serial port</b>	<b>RS-232 for connection to point of sale</b>
<b>feeding</b>	<b>4V rechargeable</b>

## MODELS

MODEL	ABILITY	ACCURACY	PLATE
BP-60DUO	60kg	20g	50x50cm
BP-120DUO	120kg	50g	50x50cm



**SHIPPING  
SCALES**



**BACK TO MENU**



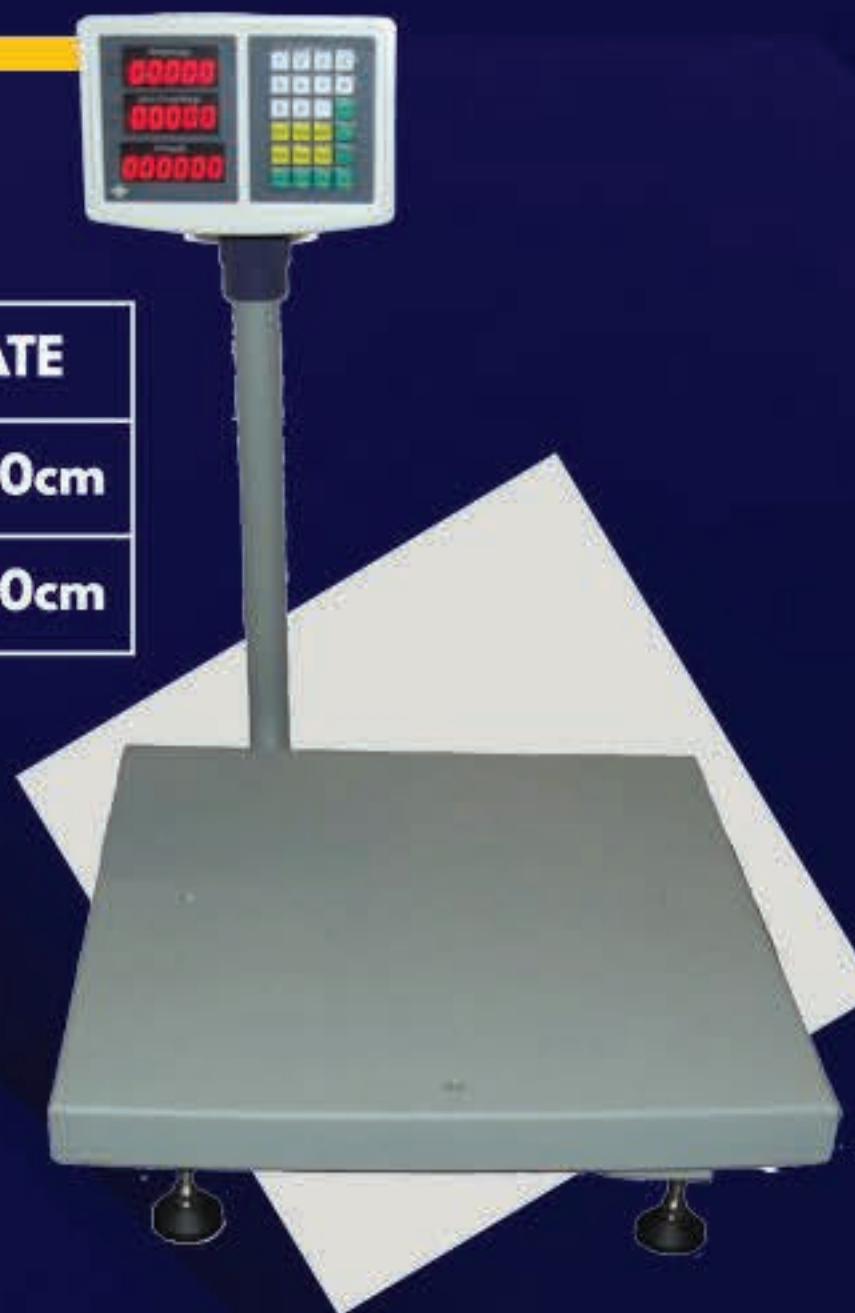
# SHIPPING SCALE

## BP DUO

<b>Facilities</b>	<b>Floor / Counter</b>
<b>Function</b>	<b>cash register</b>
<b>display</b>	<b>leds</b>
<b>Memory</b>	<b>6 memories for quick accesses</b>
<b>serial port</b>	<b>RS-232 for connection to point of sale</b>
<b>feeding</b>	<b>4V rechargeable</b>

## MODELS

MODEL	ABILITY	ACCURACY	PLATE
BP-60DUO	60kg	20g	50x50cm
BP-120DUO	120kg	50g	50x50cm



**SHIPPING  
 SCALES**



**BACK TO MENU**



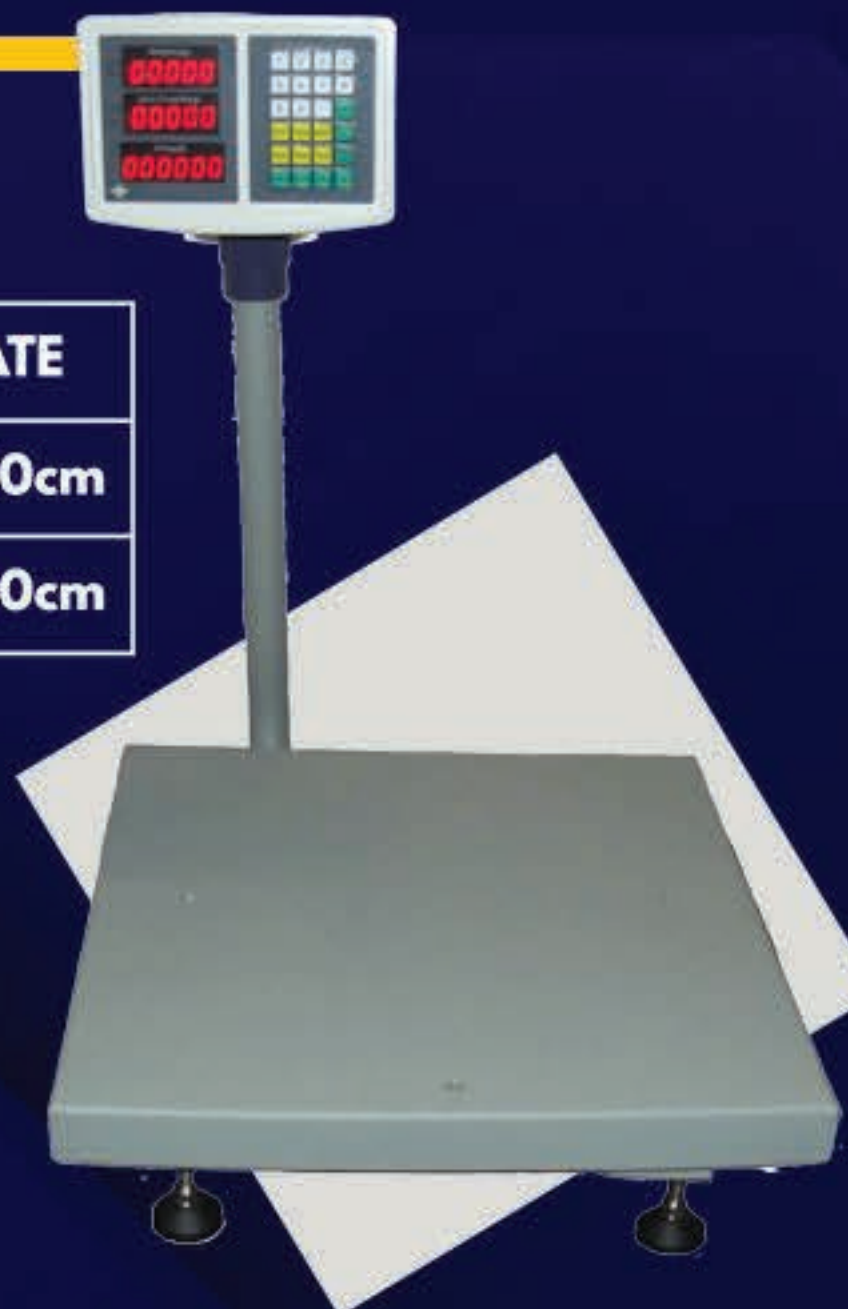
# SHIPPING SCALE

## BP DUO

<b>Facilities</b>	<b>Floor / Counter</b>
<b>Function</b>	<b>cash register</b>
<b>display</b>	<b>leds</b>
<b>Memory</b>	<b>6 memories for quick accesses</b>
<b>serial port</b>	<b>RS-232 for connection to point of sale</b>
<b>feeding</b>	<b>4V rechargeable</b>

## MODELS

MODEL	ABILITY	ACCURACY	PLATE
BP-60DUO	60kg	20g	50x50cm
BP-120DUO	120kg	50g	50x50cm



**SHIPPING  
SCALES**



**BACK TO MENU**



# PALLET TRUCK SCALE

<b>Facilities</b>	<b>Floor</b>
<b>Ability</b>	<b>2000kg / 1kg</b>
<b>units</b>	<b>kg, lb</b>
<b>Function</b>	<b>Counting pieces / Over-Under</b>
<b>display</b>	<b>leds</b>
<b>serial port</b>	<b>RS-232</b>
<b>feeding</b>	<b>rechargeable</b>
<b>homework</b>	<b>Programmable tare memory</b>





## CRANE SCALES

Strong, easy to operate, with WiFi technology,  
These are the characteristics of our hanging crane scales.



**BGWIP-5T/10T**



**BGWI-30T**



**BG-20000T**



**BG-15000**



**BG-3000/5000/10000**



**BG-300/500/1000**



**BGP**



**BCB - 45**



# CRANE SCALE

## BGWI-30 T

brief description	crane pendant
News	Supports up to 18 sensors w/1 indicator
units	kg, lb
display	LCD w/BL
Ability	10000kg / 30000kg / 20kg
Function	Sum of weight Record of weighing
indicator	It has RS-232 serial port
feeding	Rechargeable up to 24 hours



# CRANE SCALE

## BGWI-30 T

brief description	crane pendant
News	Supports up to 18 sensors w/1 indicator
units	kg, lb
display	LCD w/BL
Ability	10000kg / 30000kg / 20kg
Function	Sum of weight Record of weighing
indicator	It has RS-232 serial port
feeding	Rechargeable up to 24 hours



# CRANE SCALE

## BG-20000

<b>brief description</b>	<b>crane pendant</b>
<b>physical</b>	<b>metal casing</b>
<b>Facility</b>	<b>by crane</b>
<b>display</b>	<b>leds</b>
<b>Units</b>	<b>kg, lb</b>
<b>Function</b>	<b>Sum of weight Freeze weight on screen</b>
<b>Feeding</b>	<b>Rechargeable up to 100 hours</b>



## MODELS

MODEL	ABILITY	ACCURACY
B.G. 20000	20,000kg	20kg



# CRANE SCALE

## BG-15000

<b>brief description</b>	<b>crane pendant</b>
<b>physical</b>	<b>metal casing</b>
<b>Facility</b>	<b>by crane</b>
<b>display</b>	<b>leds</b>
<b>Units</b>	<b>kg, lb</b>
<b>Function</b>	<b>Sum of weight Freeze weight on screen</b>
<b>Feeding</b>	<b>Rechargeable up to 100 hours</b>



## MODELS

MODEL	ABILITY	ACCURACY
BG 15000	15,000kg	10kg



# CRANE SCALE

**BG-3000 / 5000 / 10000**

<b>brief description</b>	<b>crane pendant</b>
<b>physical</b>	<b>metal casing</b>
<b>Facility</b>	<b>by crane</b>
<b>display</b>	<b>leds</b>
<b>Function</b>	<b>Sum of weight Freeze weight on screen</b>
<b>Feeding</b>	<b>Rechargeable up to 100 hours</b>

## MODELS

MODEL	ABILITY	ACCURACY
GB - 10000	10,000kg	5kg
GB-5000	5,000kg	2kg
BG-3000	3,000kg	2kg



# CRANE SCALE

**BG-300 / 500 / 1000**

<b>brief description</b>	<b>crane pendant</b>
<b>physical</b>	<b>Metal housing Swivel hook</b>
<b>Facility</b>	<b>by crane</b>
<b>Units</b>	<b>kg</b>
<b>display</b>	<b>leds</b>
<b>Function</b>	<b>Sum of weight Freeze weight on screen</b>
<b>Feeding</b>	<b>Rechargeable up to 100 hours</b>



## MODELS

MODEL	ABILITY	ACCURACY
BG 1000	1,000kg	500g
B.G. 500	500kg	100g
BG 300	300kg	50g



# CRANE SCALE

## BGP-300 / 500

<b>brief description</b>	<b>crane pendant</b>
<b>Units</b>	<b>kg, lb</b>
<b>Function</b>	<b>weight sum</b>
<b>Feeding</b>	<b>Operates with AA batteries inc.</b>
<b>Accessories</b>	<b>Rotary Hook Remote Control</b>



### MODELS

MODEL	ABILITY	ACCURACY
BGP-300	300kg	50g
BGP-500	500kg	100g





# CRANE SCALE

## BCB - 45

<b>brief description</b>	<b>pocket pendant</b>
<b>display</b>	<b>LCD w/BL</b>
<b>Ability</b>	<b>45kg / 10g</b>
<b>Feeding</b>	<b>AAA alkaline battery included</b>
<b>units</b>	<b>g, oz, gm, ct, tl, ozt, dwt</b>
<b>Function</b>	<b>Thermometer function Freeze weight on screen</b>



# WEIGHT INDICATORS



**A-1**



**A-2**



**A3-LMP**



**B1**



**B1W**



**B2**



**B2 PLUS**



**B2 KIT**



**B2 R**



**MI 207**



**MI 208**



**MI 210 W**



**MDI 11**



**LARGE DISPLAY**



# INDICATOR A-1

brief description	receipt printer
<b>Facilities</b>	<b>Universal</b>
<b>Ability</b>	<b>configurable</b>
<b>Memory</b>	<b>Capacity for 5990 PLU'S</b>
<b>shortcuts</b>	<b>20 shortcuts</b>
<b>communication ports</b>	<b>RS-232, USB, Ethernet</b>



# INDICATOR A-2

brief description	tagger
News	It has Wi-Fi
Facilities	Universal
display	LCD
Ability	configurable
Memory	Capacity for 5990 PLU'S
shortcuts	80 shortcuts
network communication	Ethernet
communication ports	RS-232,USB



# INDICATOR A3-LMP

<b>News</b>	<b>It has a thermal printer</b>
<b>brief description</b>	<b>Truck scale use</b>
<b>fitness</b>	<b>metal cabinet</b>
<b>display</b>	<b>leds</b>
<b>divisions</b>	<b>10,000</b>
<b>units</b>	<b>kg</b>
<b>plate records</b>	<b>1,000</b>
<b>merchandise records</b>	<b>1,000</b>
<b>communication ports</b>	<p>(1) RS-232 port (db15), for connection to remote display and for connection to PC.</p> <p>(2) RS-232 port (db25-Parallel port) for external printer.</p>



# INDICATOR B1

<b>brief description</b>	<b>general use</b>
<b>display</b>	LCD
<b>divisions</b>	15,000
<b>Function</b>	weight sum
<b>Filters</b>	dynamic load
<b>Feeding</b>	rechargeable
<b>communication ports</b>	RS-232 port (db9), for connection to a remote display or for connection to a PC.



# INDICATOR B1 W

<b>type of use</b>	<b>Generally used in humid environments</b>
<b>physical</b>	<b>AI Cabinet</b>
<b>display</b>	<b>LCD</b>
<b>divisions</b>	<b>15,000</b>
<b>Function</b>	<b>weight sum</b>
<b>Filters</b>	<b>dynamic load</b>
<b>Feeding</b>	<b>rechargeable</b>



# INDICATOR B2

<b>type of use</b>	<b>General</b>
<b>display</b>	<b>LCD</b>
<b>divisions</b>	<b>10,000</b>
<b>Units</b>	<b>kg, lb</b>
<b>multi-functions</b>	<b>Checkweigher Over - Under Count - pieces</b>
<b>serial port</b>	<b>RS-232</b>
<b>Feeding</b>	<b>rechargeable</b>





# INDICATOR B2 PLUS

<b>type of use</b>	<b>general use</b>
<b>display</b>	<b>leds</b>
<b>divisions</b>	<b>10,000</b>
<b>Units</b>	<b>kg, lb</b>
<b>multi-functions</b>	<b>Count - pieces</b>
<b>Memories</b>	<b>100 memories</b>
<b>communication ports</b>	<b>RS-232 port (db9), for connection to thermal printer</b>
<b>Feeding</b>	<b>rechargeable</b>



# INDICATOR B2 KIT

<b>News</b>	<b>Cell Included for conversion from Mechanical Scale to Digital Scale</b>
<b>type of use</b>	<b>conversions</b>
<b>display</b>	<b>LCD</b>
<b>Ability</b>	<b>1,000kg</b>
<b>Units</b>	<b>kg, lb</b>
<b>multi-functions</b>	<b>Checkweigher Over - Under Count - pieces</b>
<b>serial port</b>	<b>RS-232</b>
<b>Feeding</b>	<b>rechargeable</b>



# INDICATOR **B2 R**

<b>type of use</b>	<b>Filling Control Cut Point by Serial Port</b>
<b>display</b>	<b>LCD</b>
<b>control output</b>	<b>5v</b>
<b>divisions</b>	<b>10,000</b>
<b>Units</b>	<b>kg, lb</b>
<b>multi-functions</b>	<b>Checkweigher Over - Under Count - pieces</b>
<b>Feeding</b>	<b>rechargeable</b>



# INDICATOR **MI 207**

<b>type of use</b>	<b>general use</b>
<b>display</b>	<b>leds</b>
<b>physical</b>	<b>AI Cabinet</b>
<b>divisions</b>	<b>100,000</b>
<b>Units</b>	<b>kg, lb</b>
<b>Function</b>	<b>Freeze weight on screen</b>
<b>Filters</b>	<b>dynamic load</b>
<b>serial port</b>	<b>RS-232 port (db9), for connection to thermal printer or for connection to PC.</b>
<b>Feeding</b>	<b>rechargeable</b>



# INDICATOR **MI 208**

type of use	general use
display	leds
physical	Al Cabinet
divisions	100,000
Units	kg
Function	weight - price
Filters	dynamic load
serial port	RS-232 port (db9), for connection to thermal printer or for connection to PC.
Feeding	rechargeable



# INDICATOR MI 210 W

<b>News</b>	<b>watertight gauge</b>
<b>Material</b>	<b>100% Stainless Steel IP68</b>
<b>Units</b>	<b>kg, lb, oz</b>
<b>display</b>	<b>LCD w/Backlight</b>
<b>Function</b>	<b>Over-Under</b>
<b>Feeding</b>	<b>6V Rechargeable Battery</b>



# INDICATOR **MDI 11**

<b>News</b>	<b>dot matrix printer</b>
<b>type of use</b>	<b>Truck scale use</b>
<b>physical</b>	<b>AI Cabinet</b>
<b>display</b>	<b>leds</b>
<b>divisions</b>	<b>10,000</b>
<b>communication ports</b>	<b>(1) RS-232 port (db15), for connection to remote display and for connection to PC.  (2) RS-232 port (db25-Parallel port) for external printer.</b>
<b>plate records</b>	<b>1000</b>
<b>Merchandise records</b>	<b>1000</b>
<b>Operating voltage</b>	<b>220Vac</b>



# LARGE DISPLAY

display	red luminous LED
Availability for connection with:	METROLOGY indicators models A3, B1, B2, MI 207, MDI 11

## MODELS

MODEL	MEASURES	NUMBER
VR-3	54x18x7cm	LED 3"
VR-5	76x23x7cm	LED 5"





## LIVESTOCK SCALES

Designed for **concentrated load** in all models. This family of scales brings together functions as varied and diverse as our wide variety of applications.



**LIVESTOCK SCALE**



**PORTABLE**



**LIVESTOCK  
FENCE ACCESSORY**



# LIVESTOCK SCALE

<b>Facilities</b>	<b>Floor</b>
<b>floor texture</b>	<b>Wood</b>
<b>Door</b>	<b>sliding</b>
<b>sensors</b>	<b>Hermetic sensors and housing</b>
<b>It includes</b>	<b>Indicator B1</b>
<b>Function</b>	<b>weight sum</b>
<b>display</b>	<b>LCD number 2</b>
<b>serial port</b>	<b>RS-232</b>
<b>feeding</b>	<b>rechargeable</b>
<b>Type of cable</b>	<b>100% channeled</b>
<b>cell type</b>	<b>shock protection</b>

## MODELS

MODEL	DIMENSIONS	ABILITY	ACCURACY
PGV - 3000	1.3x2.5x2m	3000kg	500g
PBG - 3000	1.3 x 2 x 1.3m	2000kg	500g



# PORTABLE LIVESTOCK SCALE

<b>Facilities</b>	<b>Floor</b>
<b>Ability</b>	<b>500kg</b>
<b>external measures</b>	<b>L120 x W70 x H120cm</b>
<b>internal measures</b>	<b>L15 x W68 x H120cm</b>



# LIVESTOCK FENCE ACCESSORY

<b>News</b>	<b>Turn your platform into a livestock scale</b>
<b>Facilities</b>	<b>Floor, on platform</b>
<b>doors</b>	<b>Sliding at both ends</b>
<b>indicator</b>	<b>It has support for side indicator</b>
<b>pen height</b>	<b>1.2m</b>
<b>Availability</b>	<b>METROLOGY Platforms</b>



## MODELS

<b>MODEL</b>	<b>DIMENSIONS</b>
<b>R3 / 3</b>	<b>1m x 1m</b>
<b>R4 / 4</b>	<b>1.20mx 1.20m</b>
<b>R5 / 5</b>	<b>1.50mx 1.50m</b>



# PLATFORMS



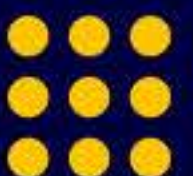
**FLOOR SCALE**



**STAINLESS STEEL  
FLOOR SCALE**



**FLOOR SCALE RAMPS**



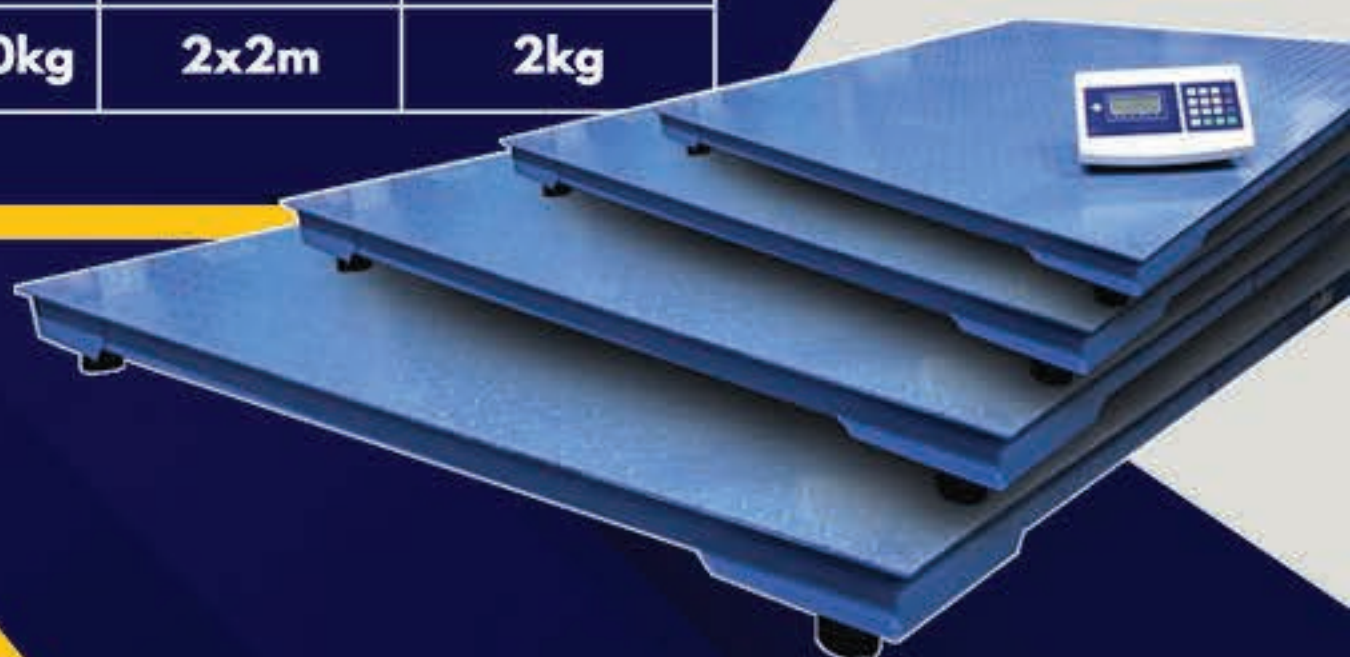
# FLOOR SCALE

## PBP

## MODELS

Facilities	Floor
finish	anti-skid
Ability	DEPENDING ON MODEL
It includes	Indicator B2 PLUS

MODEL	ABILITY	MEASURES	ACCURACY
PBP-100-1000	1,000kg	1x1m	200g
PBP-100-2000	2,000kg	1x1m	500g
PBP-120-1000	1,000kg	1.2x1.2m	200g
PBP-120-2000	2,000kg	1.2x1.2m	500g
PBP-120-3000	3,000kg	1.2x1.2m	500g
PBP-120-5000	5,000kg	1.2x1.2m	1kg
PBP-150-1000	1,000kg	1.5x1.5m	200g
PBP-150-2000	2,000kg	1.5x1.5m	200g
PBP-150-3000	3,000kg	1.5x1.5m	500g
PBP-150-5000	5,000kg	1.5x1.5m	1kg
PB20-150-10000	10,000kg	1.5x1.5m	2kg
PB1-2150-10T	10,000kg	1.5x2m	2kg
PBP-200-10000	10,000kg	2x2m	2kg



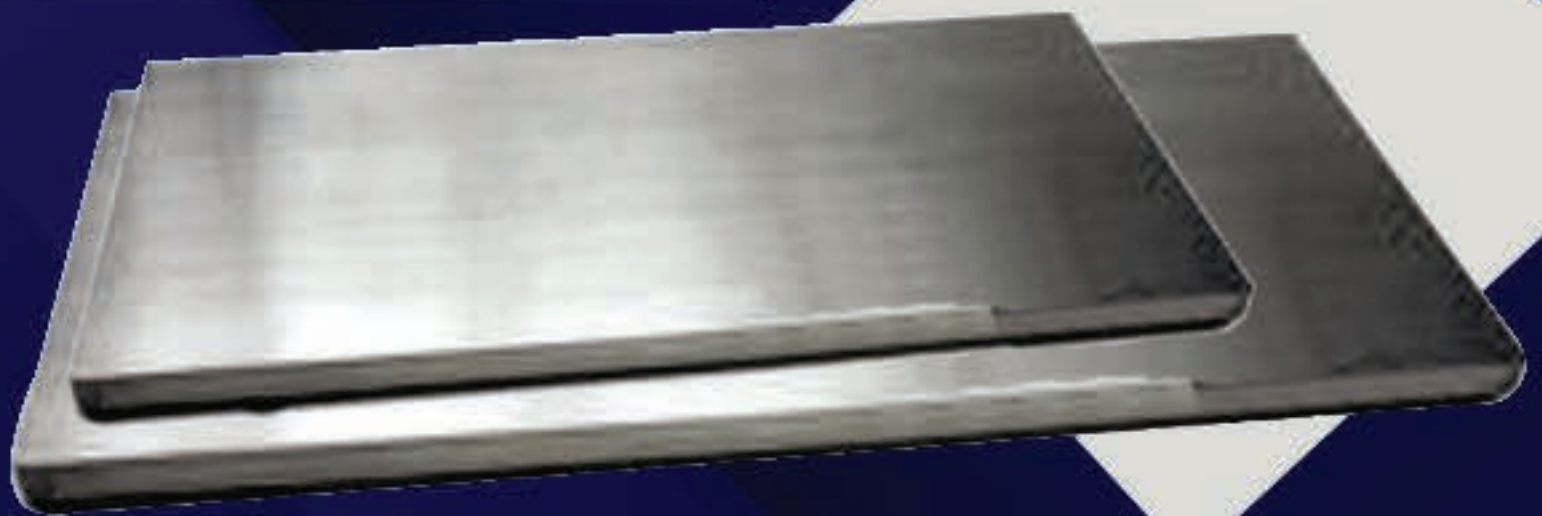
**FLOOR SCALE**  
**STAINLESS STEEL**

**PBP-A.I.**

<b>brief description</b>	<b>Low Profile AI Platform</b>
<b>Facilities</b>	<b>Floor</b>
<b>Material</b>	<b>100% AI</b>
<b>It includes</b>	<b>Indicator MI-210W</b>

**MODELS**

<b>MODEL</b>	<b>DIMENSIONS</b>	<b>ABILITY</b>
<b>PBP-100-1000AI</b>	<b>1x1m</b>	<b>1000kg / 200g</b>
<b>PBP-100-2000AI</b>	<b>1x1m</b>	<b>2000kg / 500g</b>
<b>PBP-120-1000AI</b>	<b>1.2x1.2m</b>	<b>1000kg / 200g</b>
<b>PBP-120-3000AI</b>	<b>1.2x1.2m</b>	<b>3000kg / 500g</b>
<b>PBP-150-1000AI</b>	<b>1.5x1.5m</b>	<b>1000kg / 200g</b>
<b>PBP-150-3000AI</b>	<b>1.5x1.5m</b>	<b>3000kg / 500g</b>
<b>PBP-150-5000AI</b>	<b>1.5x1.5m</b>	<b>5000kg / 1kg</b>



# FLOOR SCALE RAMPS ACCESSORIES

<b>Texture</b>	<b>Anti-skid plate with epoxy finish</b>
<b>Availability</b>	<b>METROLOGY Platforms</b>
<b>Facilities</b>	<b>Floor</b>

## MODELS

<b>MODEL</b>	<b>MEASURES</b>
<b>R-3/3</b>	<b>80x100cm</b>
<b>R-4/4</b>	<b>80x120cm</b>
<b>R-5/5</b>	<b>80x150cm</b>





## TRUCKS SCALES



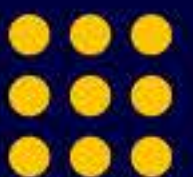
**PITLESS**



**PIT TYPE**



**PORTABLE  
TRUCK  
SCALE**



# TRUCK SCALE

# PITLESS

- Ideal when weighing operations need to be moved upon completion of a particular work or job. With 6x3m modules the scale grows up to 24m
  - Completely finished ready to install and use, 100% steel. Modular design that facilitates and saves its transportation “NO special permit required due to excess dimensions”, Quick installation, Includes 2 access ramps.
- Includes: Model QDI-11 Indicator, Remote Viewer and Management Software

Model	Capacity	Longitude
BC-6ACP-30T	30,000kg	6m
BC-12ACP-60T	60,000kg	12m
BC-18ACP-80T	90,000kg	18m



# TRUCK SCALE

# PIT TYPE

## 100% STEEL

- Its structural design is suitable for traffic of more than 200 trucks per day , since its structure is made up of 6 longitudinal channels that support a top plate with a diamond finish, in such a way that the tires will always be supported by these longitudinal channels ..

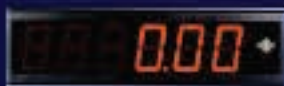
cells	30t
mounts and stops	M - Balance
Connection Box	IP-68 AI (Individual adjustment and by section)
Certification	NOM-010
Concentrated load capacity	60t
Ability	From 60 - 100t
Wide	From 3 meters
Length	From 6 meters



Installation with access ramps



Pit Installation



## Concrete

The highly durable METROLOGY truck scale has two versions:

a) Pit installation . The concrete floor is placed on the wide flange beams (IPR beams) in such a way that it is a complete slab free of restrictions.

b) Floor installation with access ramps . For this version, the wide flange beams are placed at the lateral ends in such a way that they function as protection or guide rails for cargo trucks. The concrete slab is placed in the lower part, in such a way that its casting does not require formwork.

This installation is recommended for places where there is a lot of room for manoeuvring.

cells	30t
mounts and stops	M - Balance
Connection Box	IP-68 AI (Individual adjustment and by section)
Certification	NOM-010
Concentrated load capacity	60t
Ability	From 60 - 100t
Wide	From 3 meters
Length	From 6 meters



Installation with access ramps



Pit Installation



## PORTABLE TRUCK SCALE

### GENERAL CHARACTERISTICS

Capacity (Each Mat)	30t
communication	Wifi
Load cells	8 load cells (100% digital)
feeding	Rechargeable battery with autonomy of 12 hours
Dimensions	Width: 72cm Length: 55cm



# ACCESSORIES & SPARE PARTS



**LOAD CELLS**



**JUNCTION BOX**



**STANDARD WEIGHTS**



**A.I. PLATES**



**AC ADAPTERS**



**BATTERIES**



**LABEL ROLLS**



## LOAD CELLS



**CCM**



**CC - BPDUO**



**CB1**



**CC BPR**



**SHB - 500 (SHEAR BEAM)**



**SHB - 5000 (SHEAR BEAM)**



**SHB - P (SINGLE BEAM)**



**SHB - R (SINGLE BEAM)**



**CC - "S"**



**QS (DOUBLE BEAM)**



**QSB (DOUBLE BEAM)**



**CRP - 30T**

## LOAD CELL CCM

<b>use</b>	<b>generally use</b>
<b>Capacity(kg)</b>	<b>5, 8, 15, 20, 30, 40</b>
<b>fitness</b>	<b>anodized aluminum</b>
<b>Divisions (d)</b>	<b>3000</b>



## LOAD CELL BPDUO

<b>use</b>	<b>generally use</b>
<b>Capacity(kg)</b>	<b>100, 200</b>
<b>fitness</b>	<b>anodized aluminum</b>
<b>Divisions (d)</b>	<b>3000</b>





## LOAD CELL CB1

<b>use</b>	<b>generally use</b>
<b>Capacity(kg)</b>	<b>500, 1000</b>
<b>fitness</b>	<b>anodized aluminum</b>
<b>Divisions (d)</b>	<b>3000</b>



## LOAD CELL BPR

<b>use</b>	<b>generally use</b>
<b>Capacity(kg)</b>	<b>150, 300, 500</b>
<b>fitness</b>	<b>anodized aluminum</b>
<b>Divisions (d)</b>	<b>3000</b>



# LOAD CELL

## SHB - 500 (SHEAR BEAM)

use	generally use
Capacity(kg)	* 500 * 1000 * 2000 * 3000
fitness	Nickel Plated Stainless Steel
Divisions (d)	3000



# LOAD CELL

## SHB - 5000 (SHEAR BEAM)

use	generally use
Capacity(kg)	5000
fitness	Nickel Plated Steel
Divisions (d)	3000



# LOAD CELL

## SHB - P (SINGLE BEAM)

<b>use</b>	<b>generally use</b>
<b>Capacity(kg)</b>	<b>10000</b>
<b>fitness</b>	<b>Nickel Plated Steel</b>
<b>Divisions (d)</b>	<b>3000</b>



## **LOAD CELL** **SHB - R (SINGLE BEAM)**

<b>use</b>	<b>generally use</b>
<b>Capacity(kg)</b>	<b>10000</b>
<b>fitness</b>	<b>Nickel Plated Steel</b>
<b>Divisions (d)</b>	<b>3000</b>



## LOAD CELL CC - "S"

use	generally use
Capacity(kg)	* 500 * 1000 * 3000 * 5000 * 10000
fitness	Nickel Plated Steel
Divisions (d)	3000



## **LOAD CELL** **QS (DOUBLE BEAM)**

<b>use</b>	<b>generally use</b>
<b>Capacity(kg)</b>	<b>30000</b>
<b>fitness</b>	<b>Nickel Plated Steel</b>
<b>Divisions (d)</b>	<b>3000</b>





## **LOAD CELL** **QSB (DOUBLE BEAM)**

<b>use</b>	<b>generally use</b>
<b>Capacity (klbs)</b>	<b>75</b>
<b>fitness</b>	<b>Nickel Plated Steel</b>
<b>Divisions (d)</b>	<b>3000</b>



## **LOAD CELL**

### **CRP - 30T**

<b>use</b>	<b>generally use</b>
<b>Capacity(kg)</b>	<b>30000</b>
<b>fitness</b>	<b>stainless steel</b>
<b>Divisions (d)</b>	<b>3000</b>



# JUNCTION BOX

<b>use</b>	<b>General use Platforms / Livestock Tanks / Hoppers</b>
<b>Adjustment</b>	<b>Signal</b>
<b>Material</b>	<b>Stainless Steel IP67</b>
<b>cells</b>	<b>4</b>



<b>Use</b>	<b>General use Trucks / Platforms / Livestock Tanks / Hoppers</b>
<b>Adjustment</b>	<b>by excitement</b>
<b>Material</b>	<b>Stainless Steel IP67</b>
<b>cells</b>	<b>8</b>
<b>Characteristic</b>	<b>Section adjustment function</b>



## STANDARD WEIGHTS



**METROLOGY  
STANDARD WEIGHTS**



**STANDARD WEIGHTS  
PACK - M1**



**STANDARD WEIGHTS  
PACK - F1**



**STANDARD WEIGHTS  
PACK**



# STANDARD WEIGHTS

## METROLOGY

MODEL	MATERIAL	WEIGHING (g)
PPM - F1	STAINLESS STEEL	50, 100, 200, 500
PPM-M1	STAINLESS STEEL	50, 100, 200, 500 1000, 2000



# STANDARD WEIGHTS PACK - M1

<b>Use</b>	<b>general use</b>
<b>Class</b>	<b>M1</b>
<b>physical</b>	<b>Stainless Steel Bright Finish</b>
<b>Adjustment</b>	<b>by lead</b>
<b>Certification</b>	<b>NOM</b>
<b>Susceptibility</b>	<b>0.05 - 0.2</b>
<b>weighing</b>	<b>1 - 5kg</b>



# STANDARD WEIGHTS PACK - F1

<b>Use</b>	<b>general use</b>
<b>Class</b>	<b>F1</b>
<b>physical</b>	<b>Stainless Steel Bright Finish</b>
<b>Adjustment</b>	<b>by lead</b>
<b>Certification</b>	<b>NOM</b>
<b>Susceptibility</b>	<b>0.05 - 0.2</b>
<b>weighing</b>	<b>1mg - 2kg</b>



# STANDARD WEIGHTS

<b>Use</b>	<b>general use</b>
<b>Class</b>	<b>M1</b>
<b>physical</b>	<b>Cast iron Epoxy finish</b>
<b>Adjustment</b>	<b>by lead</b>
<b>Certification</b>	<b>NOM</b>



## MODELS

MODEL	WEIGHING
PPM-5	5kg
PPM-10	10kg
PPM-20	15kg
PPM-25	25kg





# JUNCTION BOX

<b>use</b>	<b>General use Platforms / Livestock Tanks / Hoppers</b>
<b>Adjustment</b>	<b>Signal</b>
<b>Material</b>	<b>Stainless Steel IP67</b>
<b>cells</b>	<b>4</b>



<b>Use</b>	<b>General use Trucks / Platforms / Livestock Tanks / Hoppers</b>
<b>Adjustment</b>	<b>by excitement</b>
<b>Material</b>	<b>Stainless Steel IP67</b>
<b>cells</b>	<b>8</b>
<b>Characteristic</b>	<b>Section adjustment function</b>



## AC ADAPTER



**AC ADAPTER IC - 2**



**AC ADAPTER - LH**



**AC ADAPTER- LH  
(STRAIGHT PLUG)**



**AC ADAPTER - MI**



**AC ADAPTERS - WI-FI CRANES**



## AC-ADAPTER IC - 2

<b>Voltage</b>	5v, 550mA
<b>Scales Application</b>	BPP-40, BPP-40W, BPP-40RS, BPP-40 2020, BMW, BMP, BCH, BG, PBP, BCP, BPC, BP-DUO
<b>Application Indicators</b>	B2, B2 - PLUS, B2 KIT, B2 R, IPP



## AC-ADAPTER LH

<b>Voltage</b>	<b>8v, 500mA</b>
<b>Scales Application</b>	<b>BEM, BM</b>



# AC-ADAPTER LH (STRAIGHT PLUG)

<b>Voltage</b>	<b>8v, 500mA</b>
<b>Scales Application</b>	<b>BM - 12 / 30 / A3 (version without printer)</b>
<b>Application Indicators</b>	<b>B1, B1W</b>



## AC-ADAPTER MI

<b>Voltage</b>	<b>9v, 500mA</b>
<b>Application</b>	<b>BPPR - 100, BPR, BPX, BP, MI-207 MI-208, PYB, BPW, BPP-AI CWI-PAD, IC-WIFI, SKATE SCALE</b>



# AC ADAPTERS WI-FI CRANES

<b>Voltage</b>	<b>7.2v, 1A</b>
<b>Application</b>	<b>BGWiP CRANE, BGWiP Printer Briefcase BGWi-30 t CRANE, BGWi-30 t Indicator BG-20000 CRANE, BG-15000 CRANE</b>



# BATTERIES

MODELS	VOLTAGE	APPLICATION
BAT-4	4v, 4-5Ah	BPP, BMW, BMP BG, PBP, BCP, BPC, BP-DUO
BAT-6	6v, 4-5Ah	B1
BAT-8	7.2v, 2.2Ah	BPR, BPX, BP, MI-207, MI-208
BAT - 6BGWI	6v, 4-5Ah	BGWiP, BGWi-30t, BG-20000, BG-15000







## CONTINUOUS PAPER ROLLS

MODEL	PRINT	MEASURES	APPLICATION
Rollticket - A1, BCR	thermal	56mm x 26mts	A1, BCR
Rollticket QDI	ink	44mm x 10mts	QDI
ETICON A1	Thermal	54mm x 11mts	A1
ETICON-BIE, A2	thermal	60mm x 28mts	EIRB, A2
RolIWIG	ink	61mm x 9mts	BGWI
roll ticket A2	thermal	56mm x 50mts	A2



## LABEL ROLLS

MODEL	PRINT	MEASURES	APPLICATION
ROL.T	thermal	53mm x 21m	BCR, BIE, MEGABIE, A1 A2, A3
ROL.T - QDI	ink	53mm x 42m	QDI, BGWI



## MEAT **EQUIPMENT** MACHINERY



**BUTCHER  
BAND  
SAWS**



**MEAT GRINDERS**



**SHRINK FILM  
DISPENSER**



**SAUSAGE MAKERS**



**BUTCHER BAND SAWS**



**295 AC  
SAW**



**295 AI  
SAW**



**295 AIW  
SAW**



## **BUTCHER BAND SAW 295 AC CARBON STEEL**

Motor de 1.5 Hp monofásico, opcional a 3Hp y 5Hp trifásico.  
Voltaje de 127v/ 220v, con un peso de 182 kg.  
Medida de la cinta banda de 295cm (116") con tensión automática y una velocidad de 16 m /seg y opcional a 32 ,/seg ,  
Un Bisteckeador de 7" (17.8 cm) x 16 1/2 " (42 cm).  
Un carro movil de 16 3/4" (42.5) de ancho x 20 1/2" (52.2) de largo  
Capacidad de corte de 32.2 cm de ancho 43.2 cm de alto x 53.4 cm de largo.

**Manufacture of the head and cabinet in Painted Carbon Steel  
Accessories (channel, slide holder, supports,tensioner, etc.) and galvanized screws  
Coating of painted pulleys**



# **BUTCHER BAND SAW 295 AI** **STAINLESS STEEL**

1.5 Hp single-phase motor, optional 3Hp and 5Hp three-phase.  
Voltage of 127v/ 220v, with a weight of 182 kg.  
Tape measure 295cm (116") band, with automatic tension  
and a speed of 16 m/sec  
and optional at 32./sec,  
One 7" (17.8 cm) x 16 1/2" (42 cm) Steak Maker.  
One mobile cart 16 3/4" (42.5) wide x 20 1/2" (52.2) long.  
Cutting capacity of 32.2 cm wide 43.2 cm  
high x 53.4 cm long.

**Fabricación del Cabezal y gabinete  
en Acero inoxidable  
Accesorios (canal, Portacarro,  
soportes, tensor, etc.)  
y tornillería galvanizada.  
Recubrimiento de poleas pintadas**



## **BUTCHER BAND SAW 295 AIW**

**STAINLESS STEEL  
WASHABLE WITH WATER JET**

1.5 Hp single-phase motor, optional 3Hp and 5Hp three-phase.  
Voltage of 127v/ 220v, with a weight of 182 kg.  
Tape measure 295cm (116") band, with automatic tension  
and a speed of 16 m/sec  
and optional at 32./sec,  
One 7" (17.8 cm) x 16 1/2" (42 cm) Steak Maker.  
One mobile cart 16 3/4" (42.5) wide x 20 1/2" (52.2) long.  
Cutting capacity of 32.2 cm wide 43.2 cm  
high x 53.4 cm long.

**Head and Cabinet Fabrication  
in stainless steel  
Accessories (channel, slide holder,  
brackets, tensioner, etc.) and screws  
in stainless steel Tin Pulley Coating**



**MEAT GRINDERS**



**EMB22AI**



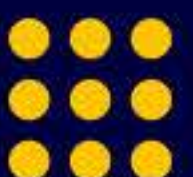
**EMB22AC**



**EMB32AI**



**EMB32AC**



# MEAT GRINDER EMB22AC TINNED

<b>Manufacturing</b>	<b>Cabinet and tray in Stainless Steel. Head and nut in Tinned Steel</b>
<b>Features</b>	<b>Capacity 800kg/hr. Transmission system by helical gears mounted on bearings. Stainless steel tray with measurements of 75cm x 40cm x 8cm deep.</b>
<b>Motor</b>	<b>2hp, 110v/220v, 1ph</b>
<b>models</b>	<b>EMB22AC127 - 110V EMB22AC220 - 220V</b>





# MEAT GRINDER EMB22AI STAINLESS STEEL

<b>Manufacturing</b>	<b>Stainless Steel Cabinet and Tray Stainless Steel Head, Worm and Nut</b>
<b>Features</b>	<b>Capacity 800kg/hr. Transmission system by helical gears mounted on bearings. Stainless steel tray with measurements of 75cm x 40cm x 8cm deep.</b>
<b>Motor</b>	<b>2hp, 110v/220v, 1ph</b>
<b>models</b>	<b>EMB22AI127 - 110V EMB22AI220 - 220V</b>



# MEAT GRINDER EMB32AC TINNED

<b>Manufacturing</b>	Cabinet and tray in Stainless Steel . Head, worm and nut in Tin Plated Steel.
<b>Features</b>	Capacity 1500kg/hr. Transmission system by helical gears mounted on bearings. Stainless steel tray with measurements of 75cm x 40cm x 8cm deep.
<b>Motor</b>	3hp, 220v, 3ph
<b>optional equipment</b>	Stainless Steel Pedestal
<b>models</b>	EMB32AC220 - WITHOUT PEDESTAL EMB32AC220P - WITHOUT PEDESTAL



# MEAT GRINDER EMB32AI STAINLESS STEEL

<b>Manufacturing</b>	<b>Stainless Steel Cabinet and Tray Stainless Steel Head, Worm and Nut</b>
<b>Features</b>	<b>Capacity 1500kg/hr. Transmission system by helical gears mounted on bearings. Stainless steel tray with measurements of 75cm x 40cm x 8cm deep.</b>
<b>Motor</b>	<b>3hp, 220v, 3ph</b>
<b>optional equipment</b>	<b>Stainless Steel Pedestal</b>
<b>models</b>	<b>EMB32AI220 - WITHOUT PEDESTAL EMB32AI220P - WITHOUT PEDESTAL</b>



## SHRINK **FILM** DISPENSER



**EBEME818**



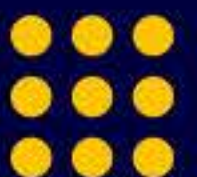
**EEBM818**



**EEBP818**



**ACCESSORIES**



# SHRINK FILM DISPENSER EEBM818

<b>Manufacturing</b>	stainless steel
<b>Features</b>	Sealing plate temperature control. Film cut bar. Easy mounting system with roll adjustment control.
<b>Voltage</b>	110v, 1ph
<b>Compatible rolls</b>	* 20 cm / 8" * 45 cm / 18" With caliber 50 and 55



# SHRINK FILM DISPENSER EBEME818

<b>Manufacturing</b>	<b>stainless steel</b>
<b>Features</b>	<b>Sealing plate temperature control. Film cut bar.</b>
<b>Voltage</b>	<b>110v, 1ph</b>
<b>Compatible rolls</b>	<b>* 20 cm / 8" * 45 cm / 18" With caliber 50 and 55</b>



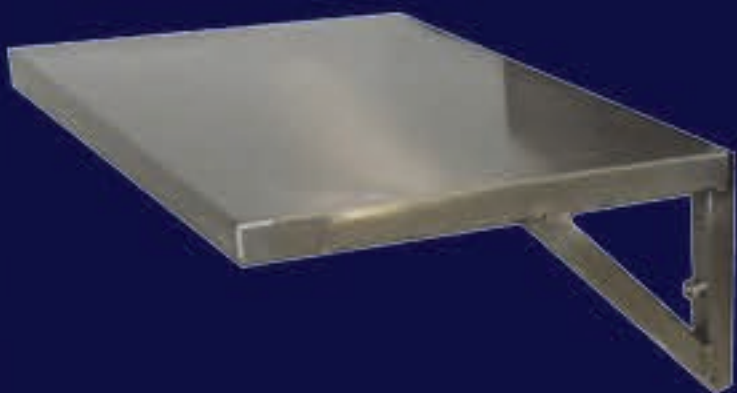
# SHRINK FILM DISPENSER EEBP818

<b>Manufacturing</b>	stainless steel
<b>Features</b>	Designed to use 2 rolls at the same time. Easy mounting system with roll adjustment control. Sealing plate temperature control. Film cut bar.
<b>Voltage</b>	110v
<b>Compatible rolls</b>	Roll from 8" and 18" (20-45cm)



# SHRINK FILM DISPENSER ACCESSORIES

BIE-30C scale (30Kg/5)



right side table

left side table



EEBP818 Shrink Film Dispenser with Accessories





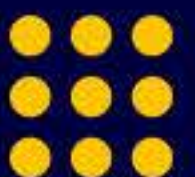
## SAUSAGE MAKERS



**ELECTRIC EEMB10 / EEMB15**



**MANUAL EEMB3 / EEMB5 / EEMB7**



# MANUAL SAUSAGE MAKER EEMB3 / EEMB5 / EEMB7

<b>Manufacturing</b>	<b>Stainless steel</b>
<b>Functions</b>	<b>Piston action system by means of gears. Upright Design. Ideal for stuffing seeds, ground meat, fish, vegetables. Includes funnels of 15, 22, 30 and 38mm Capacities 3, 5 and 7 liters.</b>
<b>Operation</b>	<b>Manual</b>



# ELECTRIC SAUSAGE MAKERS EEMB10 / EEMB15

<b>Manufacturing</b>	<b>Stainless steel</b>
<b>Functions</b>	<b>Piston descent speed regulator.        Emergency Stop Button.        Ideal for stuffing seeds, ground meat, fish, vegetables.        Includes funnels of 15, 22, 30 and 38mm        Capacities 10 and 15 liters.</b>
<b>Feeding</b>	<b>110v</b>

